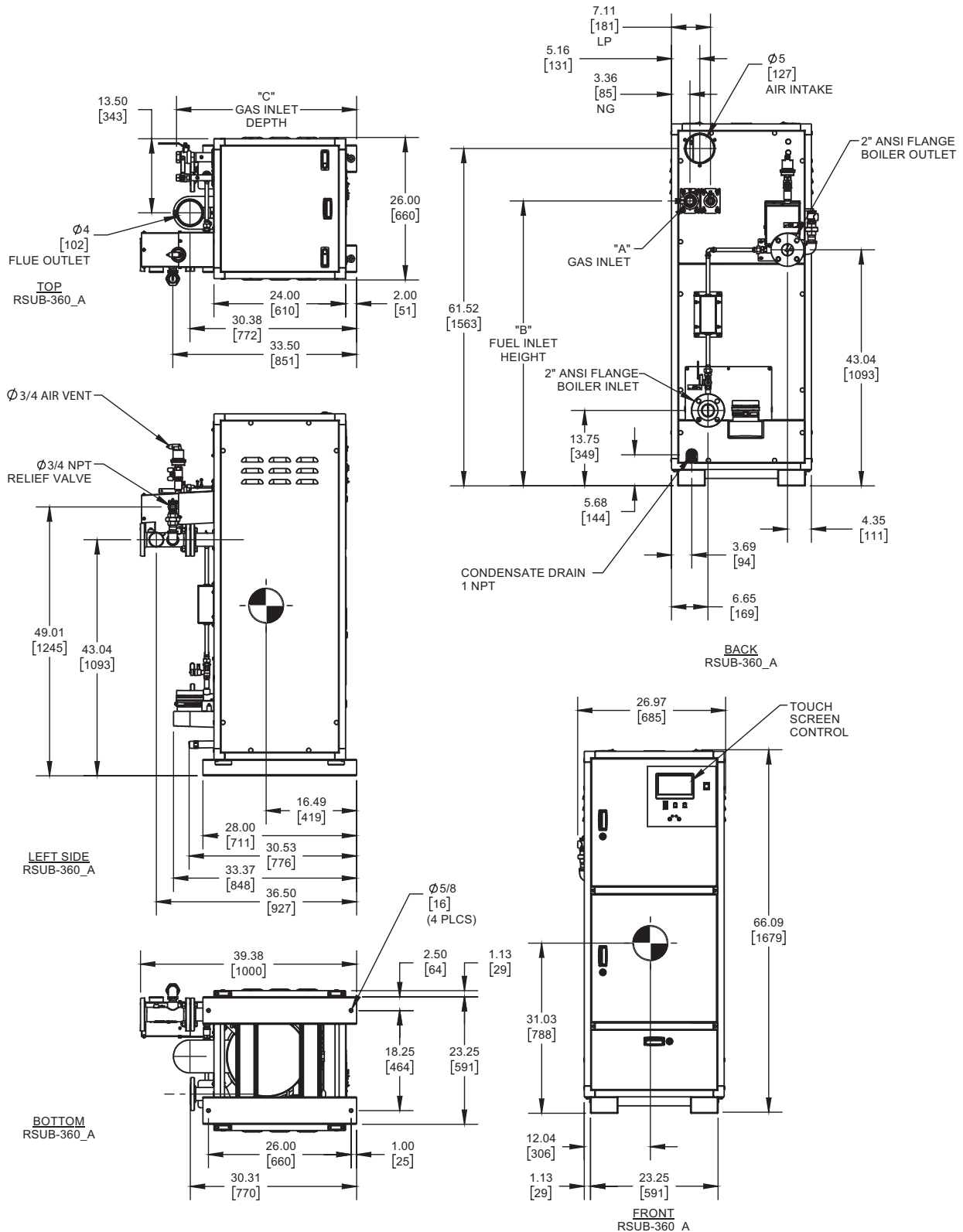


ENCORE 600 DUAL FUEL

Category II or Category IV Appliance
(see Installation and Operation Manual for venting information)

INDOOR UNIT



GAS OPTION	"A"	"B"	"C"
NG	1-1/4 NPT	51.95	32.83
LP	3/4 NPT	51.95	32.84

Notes:

1. Dimensions are approximate and should not be used to "rough-in" equipment.
2. Dimensions are subject to change without notice.
3. All dimensions are in inches [mm].
4. Symbol indicates center of gravity.

BOILER CERTIFIED RATINGS & CAPACITIES

Fuel Type	Natural/Propane Gas	Boiler FLA	17.1 *
Input BTU/hr.	600,000 / 176 KW	Boiler HP	17.5
Output BTU/hr.	586,800 / 172 KW	Min. Gas Pressure Required	4" W.C.
Electrical Requirements	120 VAC/60 Hz/1PH (with neutral)	Max. Gas Pressure Allowed	14" W.C.
		Operating Weight	633 lbs. / 287.1 kg.

BOILER TRIM & CONTROLS

Main Gas Valve	Dungs MBC	Air Switch	Huba
Ignition Control	Fenwal	Flow Sensor	SIKA
Operating Control	HeatNet®	Blocked Flue Switch	Cleveland NS2
High Limit	Jumo	Blower Motor	Ametek
Relief Valve	3/4" x 3/4" set @ 50 psi	L.W.C.O.	800

A.S.M.E.

ASME Sect IV Fire Side Htg Surface	72.91 Sq. Ft. / 6.77 Sq. M.	Design Data	Max. 160 psig & 210°F
ASME Sect IV Water Side Htg Surface	95.8 Sq. Ft. / 8.90 Sq. M.	Water Volume	12.4 gal. / 46.9 Liters

* Add circulator amps.

BOILER TEMPERATURE RISE / PRESSURE DROP (Based on Full Input)

20°F / 11.1°C				30°F / 16.7°C				40°F / 22.2°C				50°F / 27.8°C				60°F / 33.3°C			
Flow Rate		Pressure Drop		Flow Rate		Pressure Drop		Flow Rate		Pressure Drop		Flow Rate		Pressure Drop		Flow Rate		Pressure Drop	
GPM	L/s	Ft	kPa	GPM	L/s	Ft	kPa	GPM	L/s	Ft	kPa	GPM	L/s	Ft	kPa	GPM	L/s	Ft	kPa
58.7	3.7	4.2	12.7	39.1	2.5	3.3	9.9	29.4	1.9	2.9	8.8	23.5	1.5	2.7	8.2	19.6	1.2	2.6	7.8

Flow GPM				Temp. Rise** (°F)				Vent Length (Equiv. Ft.)				Air Inlet Length (Equiv. Ft.)			
Min		Max		Min		Max		Min		Max		Min		Max	
19.6		58.7		20		100		6		100		0		100	

** Min/Max delta t reflects boiler operation at full input. For applications requiring operation above/below these parameters please consult factory.

REP FIRM	_____
SUBMITTED BY	_____
JOB NAME	_____
ARCHITECT	_____
ENGINEER	_____
CONTRACTOR	_____
DATE	_____

ENCORE 600 DUAL FUEL

Category II or Category IV Appliance
(see Installation and Operation Manual for venting information)

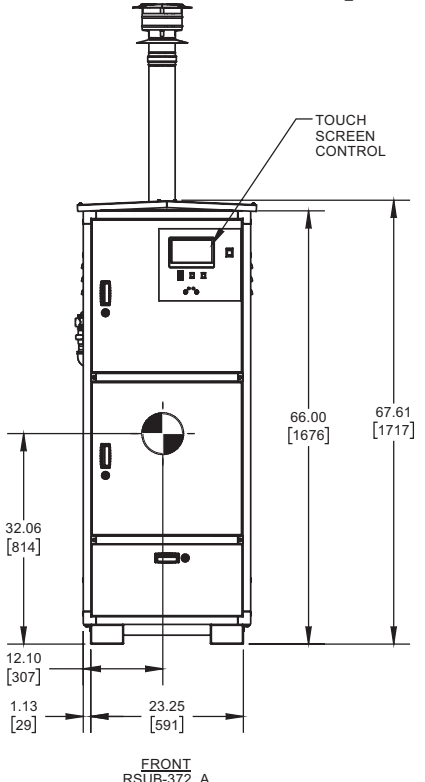
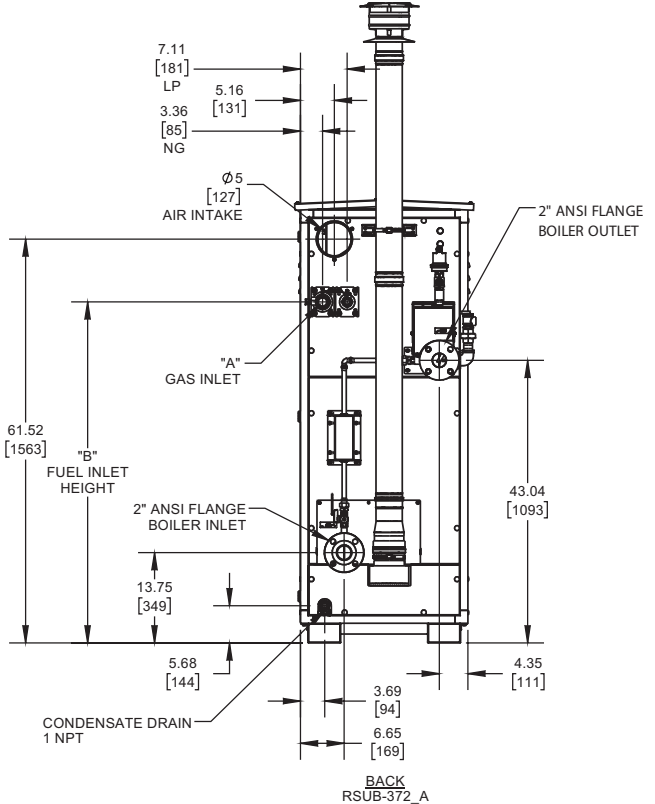
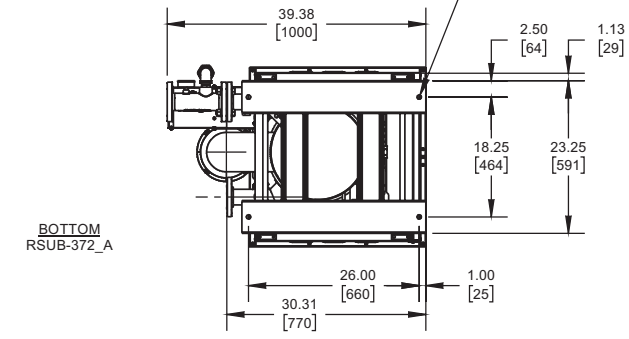
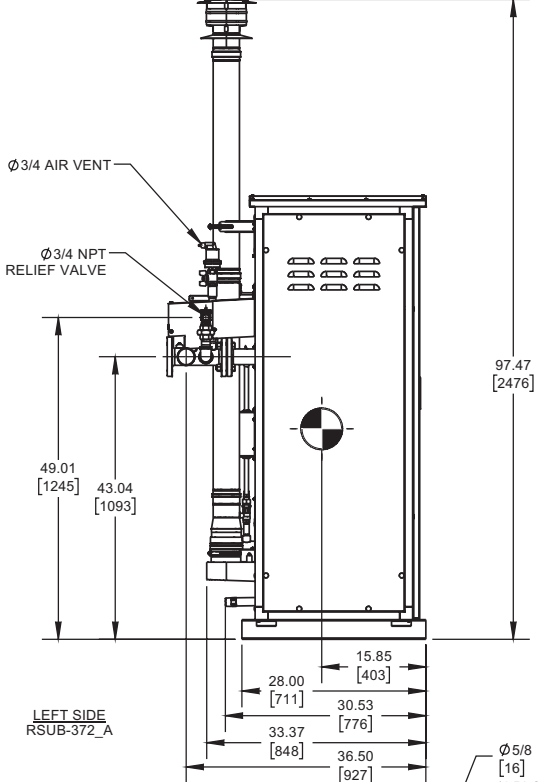
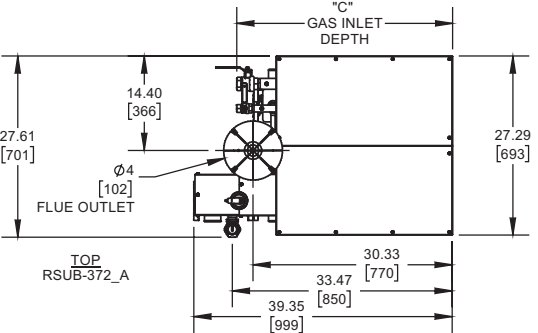


A Division of Mestek, Inc.
Westfield, MA 01085
(413) 564-5515

ENCORE 600 DUAL FUEL

Category II or Category IV Appliance
(see Installation and Operation Manual for venting information)

OUTDOOR UNIT



GAS OPTION	"A"	"B"	"C"
NG	1-1/4 NPT	51.95	32.83
LP	3/4 NPT	51.95	32.84

- Notes:**
1. Dimensions are approximate and should not be used to "rough-in" equipment.
 2. Dimensions are subject to change without notice.
 3. All dimensions are in inches (mm).
 4. Symbol indicates center of gravity.

BOILER CERTIFIED RATINGS & CAPACITIES

Fuel Type	Natural/Propane Gas	Boiler FLA	17.1 *
Input BTU/hr.	600,000 / 176 KW	Boiler HP	17.5
Output BTU/hr.	585,600 / 172 KW	Min. Gas Pressure Required	4" W.C.
Electrical Requirements	120 VAC/60 Hz/1PH (with neutral)	Max. Gas Pressure Allowed	14" W.C.
		Operating Weight	612 lbs. / 277.6 kg.

BOILER TRIM & CONTROLS

Main Gas Valve	Dungs MBC	Air Switch	Huba
Ignition Control	Fenwal	Flow Sensor	SIKA
Operating Control	HeatNet®	Blocked Flue Switch	Cleveland NS2
High Limit	Jumo	Blower Motor	Ametek
Relief Valve	3/4" x 3/4" set @ 50 psi	L.W.C.O.	800

A.S.M.E.

ASME Sect IV Fire Side Htg Surface	72.91 Sq. Ft. / 6.77 Sq. M.	Design Data	Max. 160 psig & 210°F
		Water Volume	12.4 gal. / 46.9 Liters
ASME Sect IV Water Side Htg Surface	95.8 Sq. Ft. / 8.90 Sq. M.		

* Add circulator amps.

BOILER TEMPERATURE RISE / PRESSURE DROP (Based on Full Input)

20°F / 11.1°C				30°F / 16.7°C				40°F / 22.2°C				50°F / 27.8°C				60°F / 33.3°C			
Flow Rate		Pressure Drop		Flow Rate		Pressure Drop		Flow Rate		Pressure Drop		Flow Rate		Pressure Drop		Flow Rate		Pressure Drop	
GPM	L/s	Ft	kPa	GPM	L/s	Ft	kPa	GPM	L/s	Ft	kPa	GPM	L/s	Ft	kPa	GPM	L/s	Ft	kPa
58.6	3.7	4.2	12.7	39.1	2.5	3.3	9.9	29.3	1.8	2.9	8.8	23.4	1.5	2.7	8.2	19.5	1.2	2.6	7.8

Flow GPM				Temp. Rise** (°F)				Vent Length (Equiv. Ft.)				Air Inlet Length (Equiv. Ft.)			
Min		Max		Min		Max		Min		Max		Min		Max	
19.5		58.6		20		100		6		100		0		100	

** Min/Max delta t reflects boiler operation at full input. For applications requiring operation above/below these parameters please consult factory.

REP FIRM	_____
SUBMITTED BY	_____
JOB NAME	_____
ARCHITECT	_____
ENGINEER	_____
CONTRACTOR	_____
DATE	_____

ENCORE 600 DUAL FUEL

Category II or Category IV Appliance
(see Installation and Operation Manual for venting information)



A Division of Mestek, Inc.
Westfield, MA 01085
(413) 564-5515